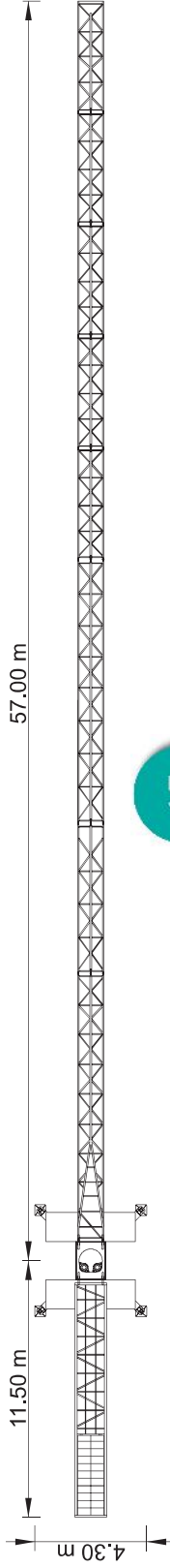
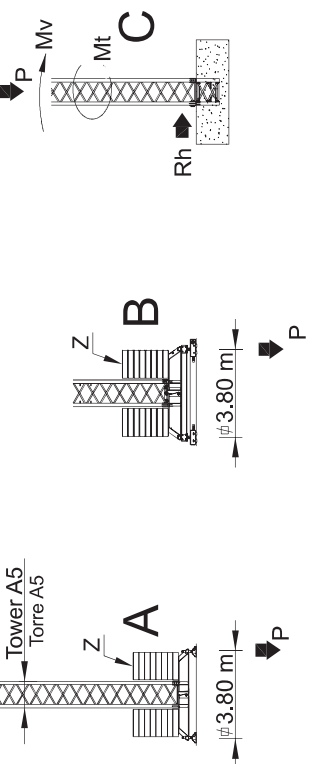

Cargas. Lasten. Charges. Cargas. Carichi. Yükleler. ГРУЗОВИДІТЬЄМНОСТЬ

kg	kg/m	m	kg									
			13	18	23	28	33	40	45	50	55	
13000 kg 5x2000 + 2x1500 kg	55m	L55+L56+L52+L53 +L42+L43+L44+L45	27 m	2500	2500	2500	2500	2000	1600	1400	1200	1000
13000 kg 5x2000 + 2x1500 kg	50m	L55+L56+L52+L53 +L42+L43+L45	14,6 m	5000	3980	3020	2500	2000	1600	1400	1200	1000
11000 kg 4x2000 + 2x1500 kg	45m	L55+L56+L53+L42+L43+L45	28,8 m	2500	2500	2500	2500	2130	1670	1440	1250	
10000 kg 5x2000 kg	40m	L55+L56+L53+L42+L43+L45	15,6 m	5000	4270	3340	2590	2130	1670	1440	1250	
8000 kg 4x2000 kg	33m	L55+L56+L53+L43+L45	29,7 m	2500	2500	2500	2210	1740	1500			
7000 kg 2x2000 + 2x1500 kg	28m	L55+L56+L53+L45	16,1 m	5000	4420	3360	2680	2210	1740	1500		
			30,5 m	2500	2500	2500	2280	1800				
			16,5 m	5000	4550	3460	2760	2280	1800			
			28,6 m	2500	2500	2500	2200					
			16 m	5000	4540	3450	2760	2200				
			28 m	2500	2500	2500	2500					
			15,2 m	5000	4180	3170	2500					


**Reações . Reactions . Reaktionen . Réactions . Reacciones
Reazioni . Теркиметер РЕАКЦИИ**

H m	A/B		C	
	Z кN	P кN	Mv кNm	P кN
21	450	388	1013	321
24	500	409	1045	329
27	500	417	1082	337
30	500	426	1116	345
33	550	447	1154	353
36	550	458	1203	361
39	600	481	1247	369



		A (mm)	B (mm)	C (mm)	kg	Code
L55		11950	1210	2600	3100	
L56		5200	1160	1930	590	
L52		5200	1160	1650	535	
L53		5200	1160	1650	510	
L42		11820	1160	1210	820	
L43		5100	1160	1210	260	509.55.10
L44		5100	1160	1210	230	
L45		6800	1160	1210	290	
RS6 RIS		2250	1350	2050	2640	
P1		1660	1220	1720	720	
CL5		10550	1500	500	3720	
CP1		1160	320	2530	2x1500 3000	704.15.00
CP2		1160	330	3140	5x2000 10000	704.20.00
				TOTAL	26415	
A5		11985	1180	1180	3080	530.12.00
A5		6075	1180	1180	1660	530.06.00
A5		3120	1180	1180	990	530.06.01
A5		3090	1385	1385	890	530.06.03
A5		1275	1160	1160	450	530.06.02
A5		5530	500	750	1250	630.00.03
A5		2270	360	750	2x635 1270	
				TOTAL	2520	

Características, Characteristics, Eigenschaften, Caractéristiques, Características, Характеристики, Özellikler, ХАРАКТЕРИСТИКИ



	15 kW		0 a 82 m/min 0 a 41 m/min
	2x5 daNm		0 a 1 rp.m.
	3 kW		0 a 60 m/min
	2x3 kW		15 m/min
	30 kVA		400 V ± 5% (50/60 Hz)

*Opção, Option, Opzioni, Opzione, Seçenek, Опция

